



DL3850+
DOT MATRIX PRINTER
PARTS CATALOGUE

FUJITSU ISOTEC LIMITED

| REVISION RECORD | | | |
|------------------------------------|-----------------------|-------------|-------------------------|
| Edition | Date published | Page | Revised contents |
| 01 | November 2004 | | First issue |
| Specification No. P3KA02010-B001/E | | | |

The contents of this manual may be revised without prior notice.

All Rights Reserved, Copyright © 2004 FUJITSU ISOTEC LIMITED.

Address your comments and inquiries on this manual to:

North American Contact:

FUJITSU CANADA INC.
6975 Creditveiw Road, Unit 1,
Mississauga,
Ontario L5N 8E9, CANADA
Phone: (1-905) 286-9666
Fax : (1-905) 286-5977

European Contact:

FUJITSU EUROPE LTD.
Hayes Park Central,
Hayes End Road,
Hayes,
Middlesex UB4 8FE, U.K.
Phone:(44-20)8573-4444
Fax:(44-20)8573-2643

FUJITSU DEUTSCHLAND GmbH
Frankfurter Ring 211,
80807 Munchen, Germany
Phone:(49-89)32-378-0
Fax:(49-89)32-378-100

FUJITSU ITALIA S.p.A.
Via Nazario Sauro, 38
20099 Sesto S. Giovanni (MI), Italy
Phone: (39-02)26294-1,
Fax: (39-02)26294-201

FUJITSU ESPANA, S.A.
Camino Cerro de los Gamos, 1-28224
Pozuelo de Alarcón, Madrid, Spain
Phone: (34-91)784-9000,
Fax: (34-91)784-9266

Australian Contact:

FUJITSU AUSTRALIA LTD.
Fujitsu House 2 Julius Avenue
North Ryde N.S.W. 2113, Australia
Phone:(61-2)9776-4555
Fax:(61-2)9776-4556

Asian Contact:

FUJITSU HONG KONG LTD.
10F., Lincoln House, 979 King's Road, Taikoo
Place,
Island East, Hong Kong
Phone:(852) 2827-5780
Fax:(852) 2827-4724

FUJITSU TAIWAN LTD.
19th FL., No. 39, 1 Sec. Chung Hwa Rd.,
Taipei, Taiwan R.O.C.
Phone: (886-2)2311-2255
Fax : (886-2)2311-2277

FUJITSU SYSTEMS BUSINESS (THAILAND) LTD.
12th Fl., Olympia Thai Tower, 444 Rachadapisek
Road,
Samsennok Huay Kwang, Bangkok 10320,
Thailand
Phone: (66-2)500-1500
Fax : (66-2)500-1515

FUJITSU ASIA PTE. LTD.
20 Science Park Road #03-01, Tele Tech Park II
Singapore 117674
Phone: (65)6777-6577
Fax : (65)6771-5502

FUJITSU PHILIPPINES, INC.
2nd Fl., United Life Bldg., A.Arnaiz,
Legaspi Village, Makati, Metro Manila, Philippines
Phone: (63-2) 812-4001
Fax : (63-2) 817-7576

This document is used for maintenance purpose only.

The illustration of the part does not guarantee its availability.

This is parts catalogue for the DL3850+ DOT MATRIX PRINTER.

This manual is for service engineers.

There are several models of DL3850+ DOT MATRIX PRINTER.

This manual covers all models.

This manual consists of two parts : Parts List and Parts Drawings.

Parts list has layer structure .You can find assembly levels.

Parts drawing does not have the layer structure.

You can see the model difference from the parts list easily.

There are other manuals for service engineers as follows.

Especially the maintenance manual has close relationship to this manual.

DL3750+/DL3850+ DOT MATRIX PRINTER MAINTENANCE MANUAL

DL3750+/DL3850+ DOT MATRIX PRINTER SCHEMATIC DIAGRAMS

DL3750+/DL3850+ DOT MATRIX PRINTER PRINTER USER'S MANUAL

DL3750+/DL3850+ DOT MATRIX PRINTER PRODUCT DESCRIPTION

This document contains technology relating to strategic products controlled by export control laws of the producing and/or exporting countries. This document or a portion there of should not be exported (or reexported) without authorization from the appropriate governmental authorities in accordance with such laws.

FUJITSU ISOTEC LIMITED

CONTENTS

| | |
|------------------------------------------------------------------|------------|
| 1. HOW TO REFER TO THIS MANUAL..... | 1-1 |
| 2. SPECIFICATIONS..... | 2-1 |
| 3. PARTS LIST AND PARTS DRAWING OF PRINTER MECHANISM..... | 3-1 |
| 3.1 DL3850+ Printer..... | 3-1 |
| 3.2 Upper Cover Assembly..... | 3-5 |
| 3.3 Lower Cover Assembly..... | 3-7 |
| 3.4 Mechanism Assembly..... | 3-9 |
| 3.5 Paper Unit Assembly..... | 3-11 |
| 3.6 Carrier Unit Assembly..... | 3-13 |

1. HOW TO REFER TO THIS MANUAL

Example:

| ① No. | ② Composition & Quantity | | Specification | Parts name (Description) | ⑤ Spare Part Number | Remarks |
|--------------------------------------------------|--------------------------|-------------------------------------------|--------------------------------------------------------------------------------------------------------------------------------------------------------------|----------------------------------------------------------------------------------------------------------------------------------------------------------|---------------------|---------|
| 1-9 1 2 3 4 5 6 7 8 9 | 1 | 1 1 1 1 1 1 6 1 4 | KA02004-G125 KA02004-Y120 KA02004-Y161 KA02004-Y529 KA02004-Y122 KA02004-Y123 KA02004-Y128 KA02004-Y125 KA02004-Y126 KA02004-Y127 | UPPER COVER ASSEMBLY UPPER COVER SOUND PROOF A U SHEET INTER LOCK SWITCH LEVER KNOB OP SHEET LED LENS OP SWITCH A OP SWITCH B | KA02008-D965 | |
| ③ 10-12 10 11 12 | 1 | 1 1 1 | KA02004-G130 KA02004-Y130 KA02004-Y162 KA02004-Y131 | FRONT COVER ASSEMBLY FRONT COVER SOUND PROOF B CLEAR COVER | KA02008-D958 | |
| 13-16 13 14 15 16 | 1 | 1 3 1 1 | KA02004-G132 KA02004-Y132 KA02004-Y133 KA02004-Y163 KA02004-Y166 | SOUND PROOF COVER ASSEMBLY SOUND PROOF COVER RIB UNIT SOUND PROOF C SOUND PROOF F | KA02008-D960 | |

- ① This figure shows the item number of part in the drawing.
- ② These columns show the construction levels. A higher level part consists of the following lower level parts listed until the quantity of the next part appears at the same level. See example ③.
- ③ m-n shows an assembly or unit consisting of more than one part. The front cover sub assembly of DL3850+ consists of a front cover ,a sound proof B ,a clear cover.
- ④ These parts are at the same level and belong to the same upper level part.
- ⑤ The spare part number shows recommended spare part.

2. SPECIFICATION

The table below lists standard models of the DL3850+ printer.

| No. | Specification | Voltage | | Interface | | | | Area | Remarks |
|-----|---------------|---------|------|-----------|--------|-----|------|----------|-------------|
| | | 100V | 200V | Parallel | RS232C | USB | *LAN | | |
| 1 | KA02010-B103 | ✓ | | ✓ | | ✓ | (✓) | For FCI | |
| 2 | KA02010-B111 | | ✓ | ✓ | | ✓ | (✓) | For FEL | COUNTRY KIT |
| 3 | KA02010-B119 | | ✓ | ✓ | | ✓ | | For ASIA | |
| 4 | KA02010-B136 | | ✓ | ✓ | | ✓ | (✓) | For FSBT | |
| 5 | KA02010-B151 | | ✓ | ✓ | | ✓ | (✓) | For FAL | |
| 6 | KA02010-B203 | ✓ | | ✓ | ✓ | | | For FCI | |
| 7 | KA02010-B219 | | ✓ | ✓ | ✓ | | | For ASIA | |
| 8 | KA02010-B251 | | ✓ | ✓ | ✓ | | | For FAL | |
| 9 | KA02010-B303 | ✓ | | ✓ | | | | For FCI | |
| 10 | KA02010-B308 | ✓ | | ✓ | | | | For FTL | |
| 11 | KA02010-B311 | | ✓ | ✓ | | | | For FEL | COUNTRY KIT |
| 12 | KA02010-B319 | | ✓ | ✓ | | | | For ASIA | |
| 13 | KA02010-B328 | ✓ | | ✓ | | | | For FTL | |

Note: * LAN interface is a user option.

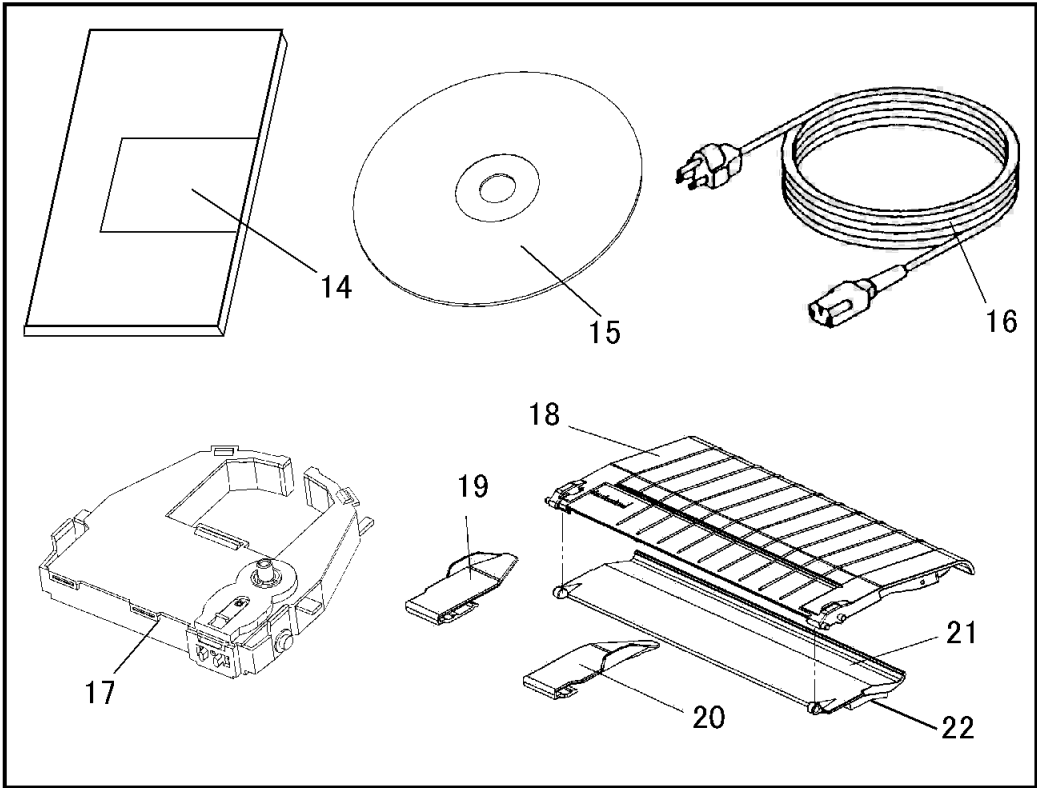
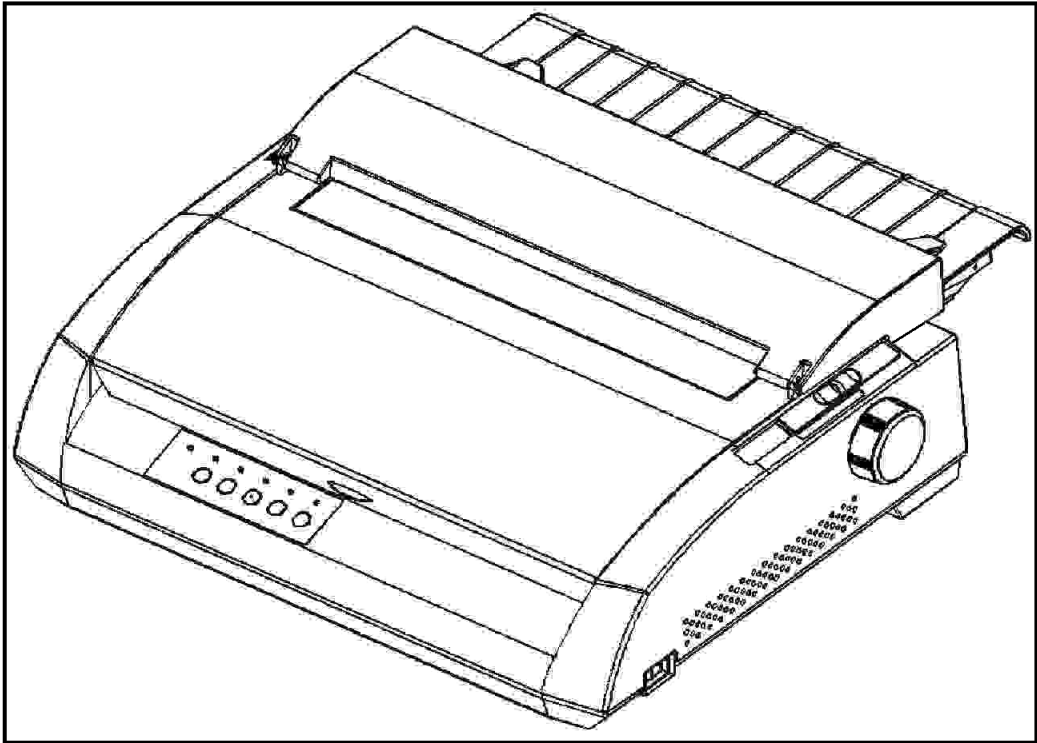
2.1 UNIT CONSTRUCTION TABLE

The table below lists standard models of the DL3850+ printer.

| No. | Specification | AC Cord | Ribbon Cassette CA02374- | Lower C. Assembly KA02010- | Upper C. Assembly KA02005- | ROM Board KA02010- |
|-----|---------------|------------------------------|--------------------------------|----------------------------------|----------------------------------|--------------------------|
| 1 | KA02010-B103 | CA98001-5982 | D101 | D103 | G125 | J101 |
| 2 | KA02010-B111 | — | D101 | D111 | G125 | J101 |
| 3 | KA02010-B119 | CA98001-4319 CA98001-4428 | D101 | D119 | G125 | J101 |
| 4 | KA02010-B136 | CA98001-5982 | D101 | D136 | G126 | J136 |
| 5 | KA02010-B151 | CA98001-5983 | D101 | D151 | G125 | J101 |
| 6 | KA02010-B203 | CA98001-5982 | D101 | D203 | G125 | J201 |
| 7 | KA02010-B219 | CA98001-4319 CA98001-4428 | D101 | D219 | G125 | J201 |
| 8 | KA02010-B251 | CA98001-5983 | D101 | D251 | G125 | J201 |
| 9 | KA02010-B303 | CA98001-5982 | D101 | D303 | G125 | J201 |
| 10 | KA02010-B308 | CA98001-5982 | D101 | D308 | G125 | J201 |
| 11 | KA02010-B311 | — | D101 | D311 | G125 | J201 |
| 12 | KA02010-B319 | CA98001-4319 CA98001-4428 | D101 | D319 | G125 | J201 |
| 13 | KA02010-B328 | — | D101 | D328 | G128 | J328 |

3.PARTS LIST AND PARTS DRAWING OF PRINTER MECHANISM

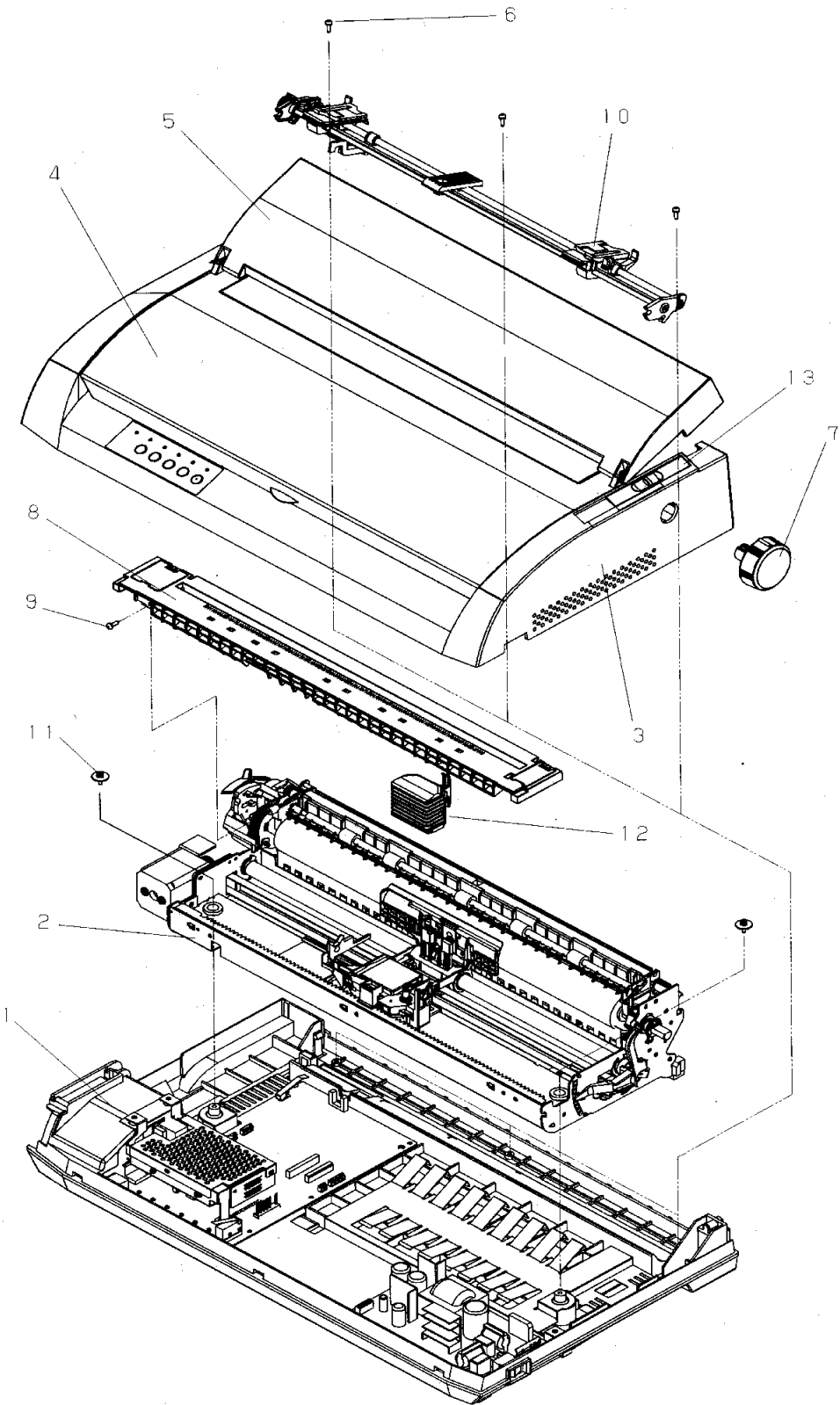
3.1 DL3850+ Printer



3.1 DL3850+ Printer

| No. | Composition & Quantity | Specification | Parts name (Description) | Spare parts number | Remarks |
|-----|------------------------|---------------|----------------------------------|--------------------|---------|
| 1 | | KA02010-B103 | DL3850+(PARALLEL+USB)*LAN OPTION | | |
| 1 | | KA02010-B111 | DL3850+(PARALLEL+USB)*LAN OPTION | | |
| 1 | | KA02010-B119 | DL3850+(PARALLEL+USB) | | |
| 1 | | KA02010-B136 | DL3850+(PARALLEL+USB)*LAN OPTION | | |
| 1 | | KA02010-B151 | DL3850+(PARALLEL+USB)*LAN OPTION | | |
| 1 | | KA02010-B203 | DL3850+(PARALLEL+RS232C) | | |
| 1 | | KA02010-B219 | DL3850+(PARALLEL+RS232C) | | |
| 1 | | KA02010-B251 | DL3850+(PARALLEL+RS232C) | | |
| 1 | | KA02010-B303 | DL3850+(PARALLEL) | | |
| 1 | | KA02010-B308 | DL3850+(PARALLEL) | | |
| 1 | | KA02010-B311 | DL3850+(PARALLEL) | | |
| 1 | | KA02010-B319 | DL3850+(PARALLEL) | | |
| 1 | | KA02010-B328 | DL3750+(PARALLEL) | | |
| 1 | | KA02010-C103 | DL3850+(PARALLEL+USB)*LAN OPTION | | |
| 1 | | KA02010-C111 | DL3850+(PARALLEL+USB)*LAN OPTION | | |
| 1 | | KA02010-C119 | DL3850+(PARALLEL+USB) | | |
| 1 | | KA02010-C136 | DL3850+(PARALLEL+USB)*LAN OPTION | | |
| 1 | | KA02010-C151 | DL3850+(PARALLEL+USB)*LAN OPTION | | |
| 1 | | KA02010-C203 | DL3850+(PARALLEL+RS232C) | | |
| 1 | | KA02010-C219 | DL3850+(PARALLEL+RS232C) | | |
| 1 | | KA02010-C251 | DL3850+(PARALLEL+RS232C) | | |
| 1 | | KA02010-C303 | DL3850+(PARALLEL) | | |
| 1 | | KA02010-C308 | DL3850+(PARALLEL) | | |
| 1 | | KA02010-C311 | DL3850+(PARALLEL) | | |
| 1 | | KA02010-C319 | DL3850+(PARALLEL) | | |
| 1 | | KA02010-C328 | DL3750+(PARALLEL) | | |

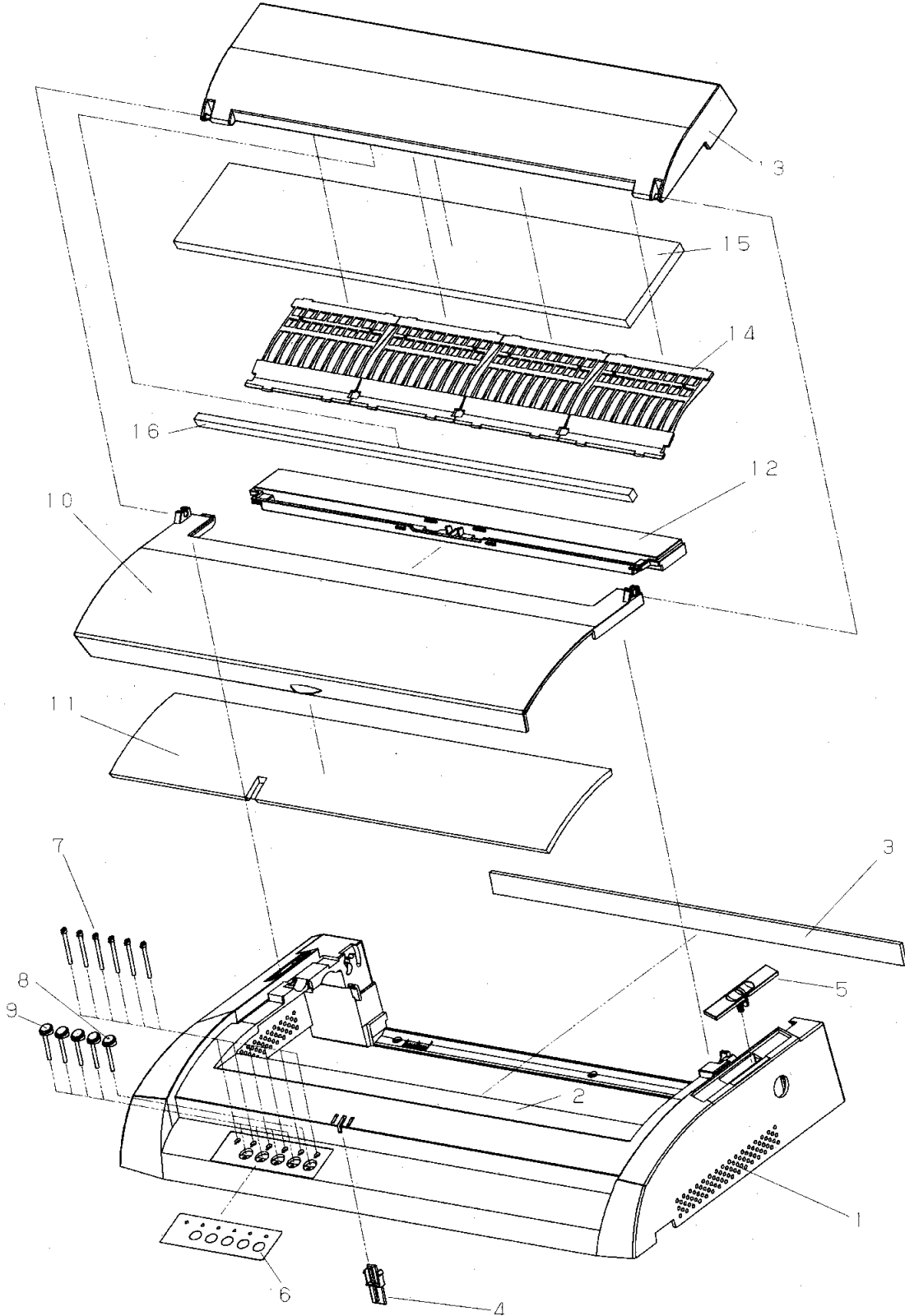
3.1 DL3850+ Printer(continued)



3.1 DL3850+ Printer(continued)

| No. | Composition & Quantity | | Specification | Parts name (Description) | Spare parts number | Remarks |
|-------|------------------------|---|----------------|----------------------------|--------------------|----------|
| 1 | | 1 | KA02010-D103 | LOWER COVER UNIT | | |
| | | 1 | KA02010-D111 | LOWER COVER UNIT | | |
| | | 1 | KA02010-D119 | LOWER COVER UNIT | | |
| | | 1 | KA02010-D136 | LOWER COVER UNIT | | |
| | | 1 | KA02010-D151 | LOWER COVER UNIT | | |
| | | 1 | KA02010-D203 | LOWER COVER UNIT | | |
| | | 1 | KA02010-D219 | LOWER COVER UNIT | | |
| | | 1 | KA02010-D251 | LOWER COVER UNIT | | |
| | | 1 | KA02010-D303 | LOWER COVER UNIT | | |
| | | 1 | KA02010-D308 | LOWER COVER UNIT | | |
| | | 1 | KA02010-D311 | LOWER COVER UNIT | | |
| | | 1 | KA02010-D319 | LOWER COVER UNIT | | |
| | | 1 | KA02010-D328 | LOWER COVER UNIT | | |
| 2 | | 1 | KA02010-F106 | MECHA UNIT | KA02010-D955 | |
| | | 1 | KA02010-F107 | MECHA UNIT | KA02010-D995 | |
| 3 | | 1 | KA02005-G125 | UPPER COVER ASSEMBLY | KA02010-D965 | |
| | | 1 | KA02005-G126 | UPPER COVER ASSEMBLY | KA02010-D941 | For FSBT |
| | | 1 | KA02005-G128 | UPPER COVER ASSEMBLY | KA02010-D940 | For WLI |
| 4 | | 1 | KA02005-G130 | FRONT COVER ASSEMBLY | KA02010-D958 | |
| | | 1 | KA02005-G130 | FRONT COVER ASSEMBLY | KA02010-D943 | For WLI |
| 5 | | 1 | KA02005-G132 | SOUND PROOF COVER ASSEMBLY | KA02010-D960 | |
| 6 | | 3 | CA98010-5568 | TAPPING SCREW | | |
| 7 | | 1 | KA02004-Y150 | PLATEN KNOB | KA02008-D980 | |
| 8 | | 1 | KA02005-G560 | EJECTION COVER ASSEMBLY | KA02010-D959 | |
| 9 | | 1 | CA98010-5568 | TAPPING SCREW | | |
| 10 | | 1 | KA02010-F600 | TRACTOR UNIT | KA02010-D957 | |
| 11 | | 2 | KA02004-Y214 | SCREW | | |
| 12 | | 1 | CA02281-F718 | PRINT HEAD | CA02281-E718 | |
| 13 | | 1 | KA02004-Y123 | KNOB | KA02008-D983 | |
| | | 1 | D370-4020-0839 | LABEL | | |
| 14 | | 1 | KA02010-Y820 | QUICK START GUIDE | | |
| 15 | | 1 | KA02010-0105 | CD-ROM | | |
| 16 | | 1 | CA98010-4319 | AC CABLE | | |
| | | 1 | CA98010-4428 | AC CABLE | | |
| | | 1 | CA98001-5982 | AC CABLE | | |
| 17 | | 1 | CA02374-D101 | RIBBON CASSETTE | | |
| 18~20 | 1 | | KA02005-G140 | SHEET GUIDE ASSEMBLY | KA02010-D964 | |
| 18 | | 1 | KA02005-Y140 | SHEET GUIDE | | |
| 19 | | 1 | KA02004-Y141 | SHEET GUIDE L | | |
| 20 | | 1 | KA02004-Y142 | SHEET GUIDE R | | |
| 21~22 | | 1 | KA02005-G143 | REAR COVER ASSEMBLY | | |
| 21 | | 1 | KA02005-Y143 | REAR COVER | | |
| 22 | | 1 | KA02005-Y164 | SOUND PROOF D | | |
| | | 1 | KA02008-Y880 | WARRANTY CARD | | For FCI |

3.2 Upper Cover Assembly

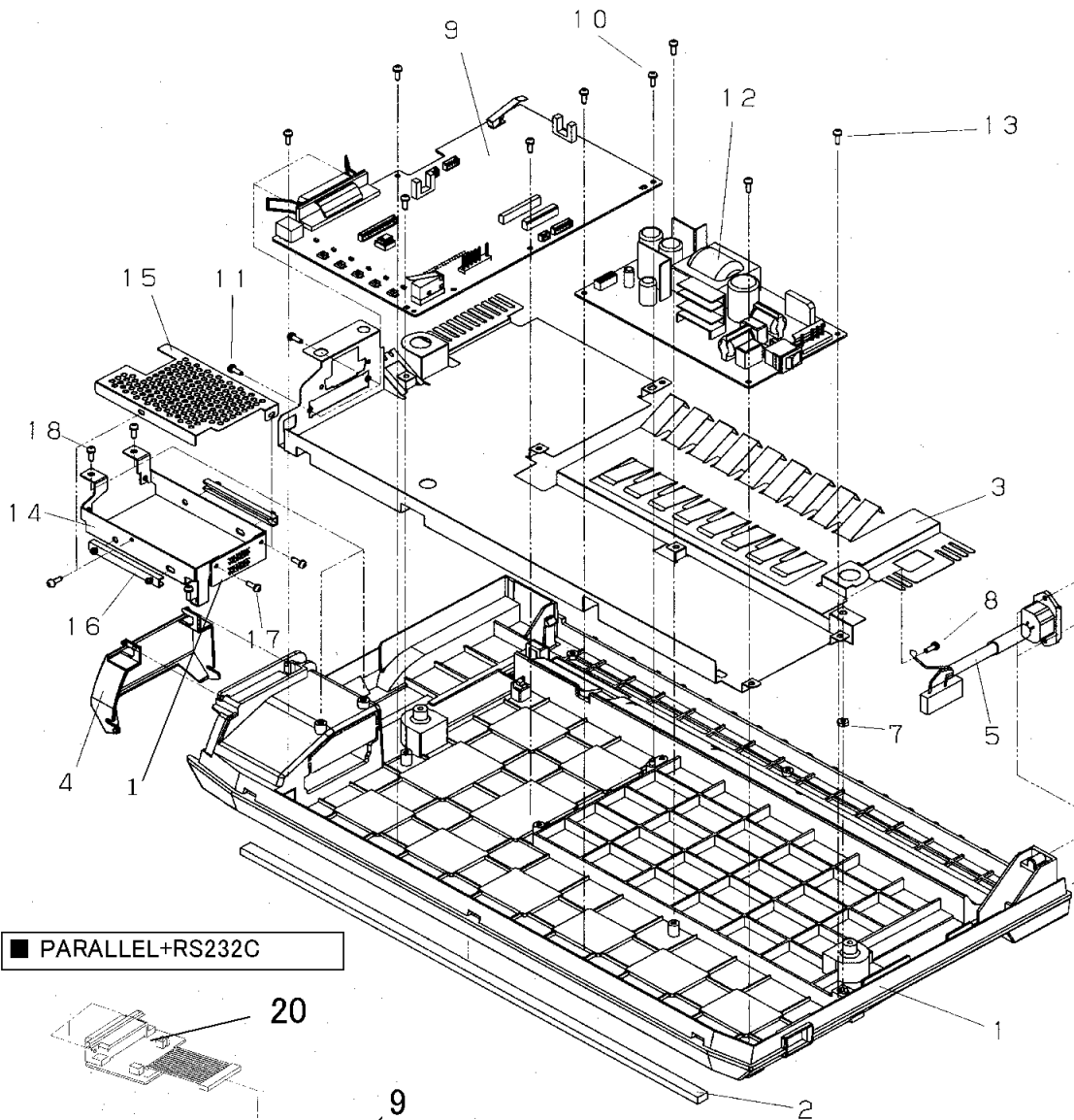


3.2 Upper Cover Assembly

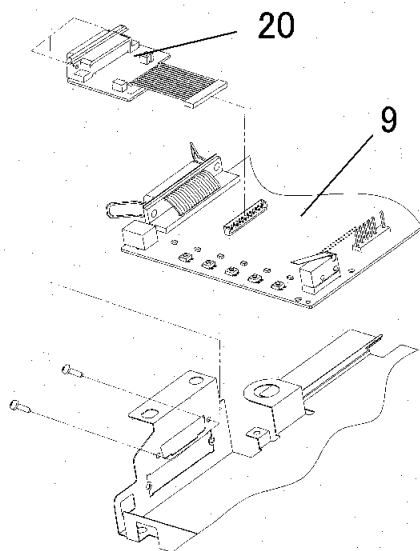
| No. | Composition & Quantity | | | Specification | Parts name (Description) | Spare parts number | Remarks |
|-------|------------------------|--|--|---------------|----------------------------|--------------------|----------|
| 1~9 | 1 | | | KA02005-G125 | UPPER COVER ASSEMBLY | KA02010-D965 | |
| | 1 | | | KA02005-G126 | UPPER COVER ASSEMBLY | KA02010-D941 | For FSBT |
| | 1 | | | KA02005-G128 | UPPER COVER ASSEMBLY | KA02010-D940 | For WLI |
| 1 | 1 | | | KA02005-Y120 | UPPER COVER | | |
| 2 | 1 | | | KA02005-Y161 | SOUND PROOF A | | |
| 3 | 1 | | | KA02005-Y168 | SOUND PROOF G | | |
| 4 | 1 | | | KA02004-Y122 | INTER LOCK SWITCH LEVER | | |
| 5 | 1 | | | KA02004-Y123 | KNOB | KA02008-D983 | |
| 6 | 1 | | | KA02004-Y128 | OP SHEET | | |
| | 1 | | | KA02008-Y182 | OP SHEET | | For FSBT |
| | 1 | | | KA02008-Y184 | OP SHEET | | For WLI |
| 7 | 6 | | | KA02004-Y125 | LED LENS | | |
| 8 | 1 | | | KA02004-Y126 | OP SWITCH A | | |
| 9 | 4 | | | KA02004-Y127 | OP SWITCH B | | |
| 10~12 | 1 | | | KA02005-G130 | FRONT COVER ASSEMBLY | KA02010-D958 | |
| | 1 | | | KA02005-G130 | FRONT COVER ASSEMBLY | KA02010-D943 | For WLI |
| 10 | 1 | | | KA02005-Y130 | FRONT COVER | | |
| 11 | 1 | | | KA02005-Y162 | SOUND PROOF B | | |
| 12 | 1 | | | KA02005-Y131 | CLEAR COVER | | |
| 13~16 | 1 | | | KA02005-G132 | SOUND PROOF COVER ASSEMBLY | KA02010-D960 | |
| 13 | 1 | | | KA02005-Y132 | SOUND PROOF COVER | | |
| 14 | 4 | | | KA02004-Y133 | RIB UNIT | | |
| 15 | 1 | | | KA02005-Y163 | SOUND PROOF C | | |
| 16 | 1 | | | KA02005-Y166 | SOUND PROOF F | | |

3.3 Lower Cover Assembly

■ PARALLEL+USB+LAN option



■ PARALLEL+RS232C

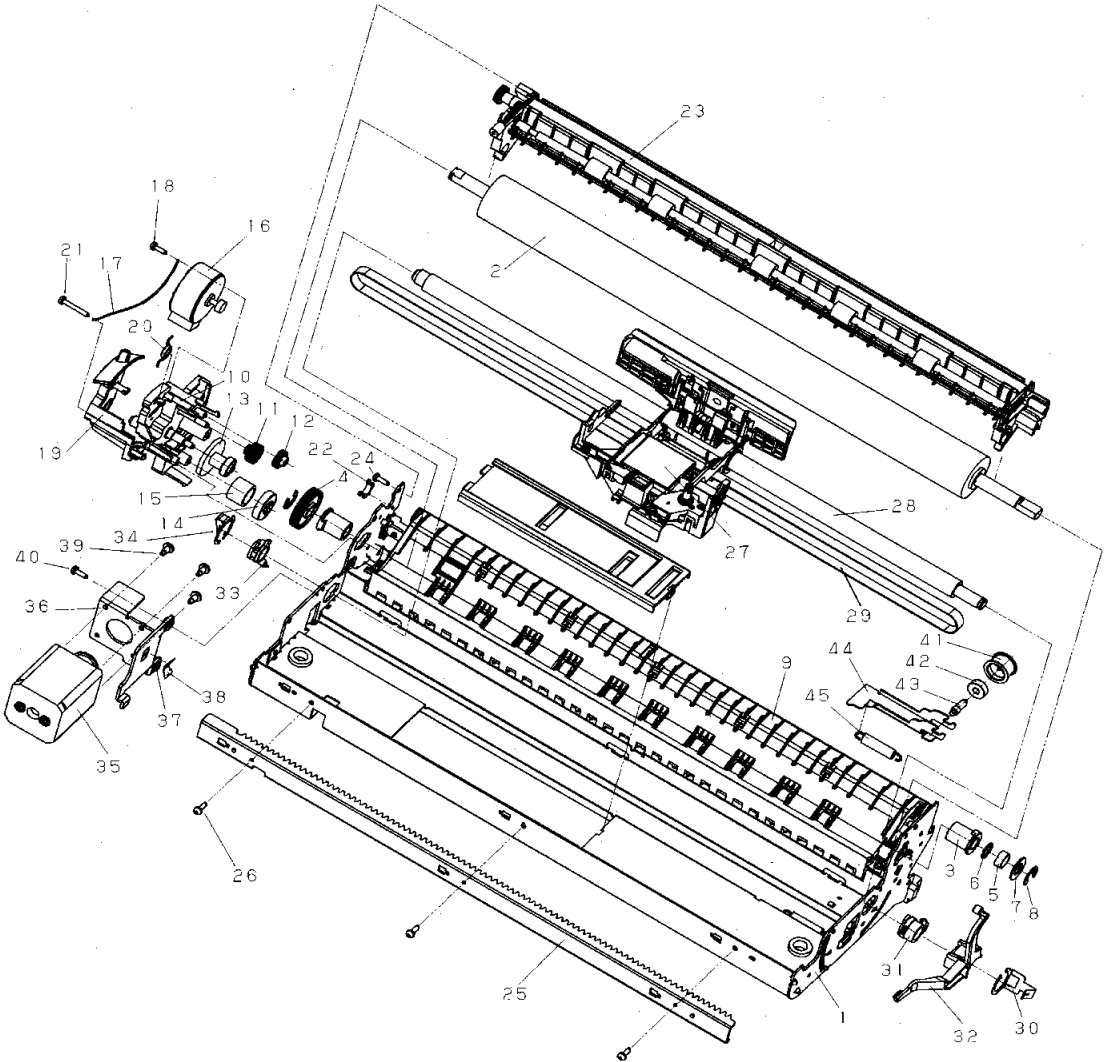


3.3 Lower Cover Assembly

| No. | Composition & Quantity | | | Specification | Parts name (Description) | Spare parts number | Remarks |
|-------|------------------------|---|--------------------|-------------------|--------------------------|--------------------|---------|
| 1~16 | 1 | | | KA02010-D103 | LOWER COVER UNIT | | |
| | 1 | | | KA02010-D111 | LOWER COVER UNIT | | |
| | 1 | | | KA02010-D119 | LOWER COVER UNIT | | |
| | 1 | | | KA02010-D136 | LOWER COVER UNIT | | |
| | 1 | | | KA02010-D151 | LOWER COVER UNIT | | |
| | 1 | | | KA02010-D203 | LOWER COVER UNIT | | |
| | 1 | | | KA02010-D219 | LOWER COVER UNIT | | |
| | 1 | | | KA02010-D251 | LOWER COVER UNIT | | |
| | 1 | | | KA02010-D303 | LOWER COVER UNIT | | |
| | 1 | | | KA02010-D308 | LOWER COVER UNIT | | |
| | 1 | | | KA02010-D311 | LOWER COVER UNIT | | |
| | 1 | | | KA02010-D319 | LOWER COVER UNIT | | |
| | 1 | | | KA02010-D328 | LOWER COVER UNIT | | |
| | | 1 | | KA02005-G100 | LOWER COVER ASSEMBLY | KA02010-D966 | Note1 |
| | | 1 | | KA02005-G101 | LOWER COVER ASSEMBLY | KA02010-D967 | |
| | 1 | 1 | | KA02005-Y100 | LOWER COVER | | |
| 2 | 1 | | KA02005-Y171 | RUBBER SPONGE | | | |
| 3 | 1 | | KA02005-Y101 | SHIELD PLATE | | Note1 | |
| | 1 | | KA02005-Y102 | SHIELD PLATE | | | |
| 4 | 1 | | KA02004-Y121 | INF COVER | KA02008-D984 | | |
| 5 | 1 | | KA02004-G110 | AC INLET ASSEMBLY | KA02008-D967 | | |
| 6 | 2 | | CA98010-5569 | TAPPING SCREW | | | |
| 7 | 1 | | CA98010-5572 | NUT | | | |
| 8 | 1 | | CA98010-5571 | SCREW | | | |
| 9 | 1 | | KA02010-J101 | ROM BOARD SK | KA02010-D990 | | |
| | 1 | | KA02010-J201 | ROM BOARD SK | KA02010-D991 | | |
| | 1 | | KA02010-J328 | ROM BOARD SK | KA02010-D992 | | |
| | 1 | | KA02010-J136 | ROM BOARD SK | KA02010-D983 | | |
| 10 | 4 | | CA98010-5568 | TAPPING SCREW | | | |
| 11 | 2 | | CA98010-5561 | SCREW | | | |
| 12 | 1 | | KA02951-0030 | POW UNIT(100V) | KA02008-D996 | | |
| | 1 | | KA02951-0035 | POW UNIT(200V) | KA02008-D997 | | |
| | 1 | | KA02951-0036 | POW UNIT(200V) | KA02008-D998 | Note2 | |
| 13 | 4 | | CA98010-5568 | TAPPING SCREW | | | |
| 14~19 | 1 | | KA02005-G115 | LAN BRACKET ASY | | Note1 | |
| | 1 | | KA02005-Y110 | LAN BRACKET | | Note1 | |
| | 1 | | KA02005-Y112 | LAN BRACKET COVER | | Note1 | |
| | 2 | | CT-GRT-70-TAKEUCHI | LAN RAIL | | Note1 | |
| | 2 | | CA98010-5566 | TAPPING SCREW | | Note1 | |
| | 3 | | CA98010-5565 | TAPPING SCREW | | Note1 | |
| | 1 | | KA02005-G114 | LAN RELAY PCA | KA02010-D992 | Note1 | |
| | 1 | | CA20160-B81X | SERIAL BOARD | | Note3 | |
| | | | | | | | |
| | | | | | | | |

Note1: Parts only for PARALLEL+USB+LAN option model.
 Note2 :RoHS instruction agreement power supply.
 Note3: Only for PARALLEL+RS232C model.

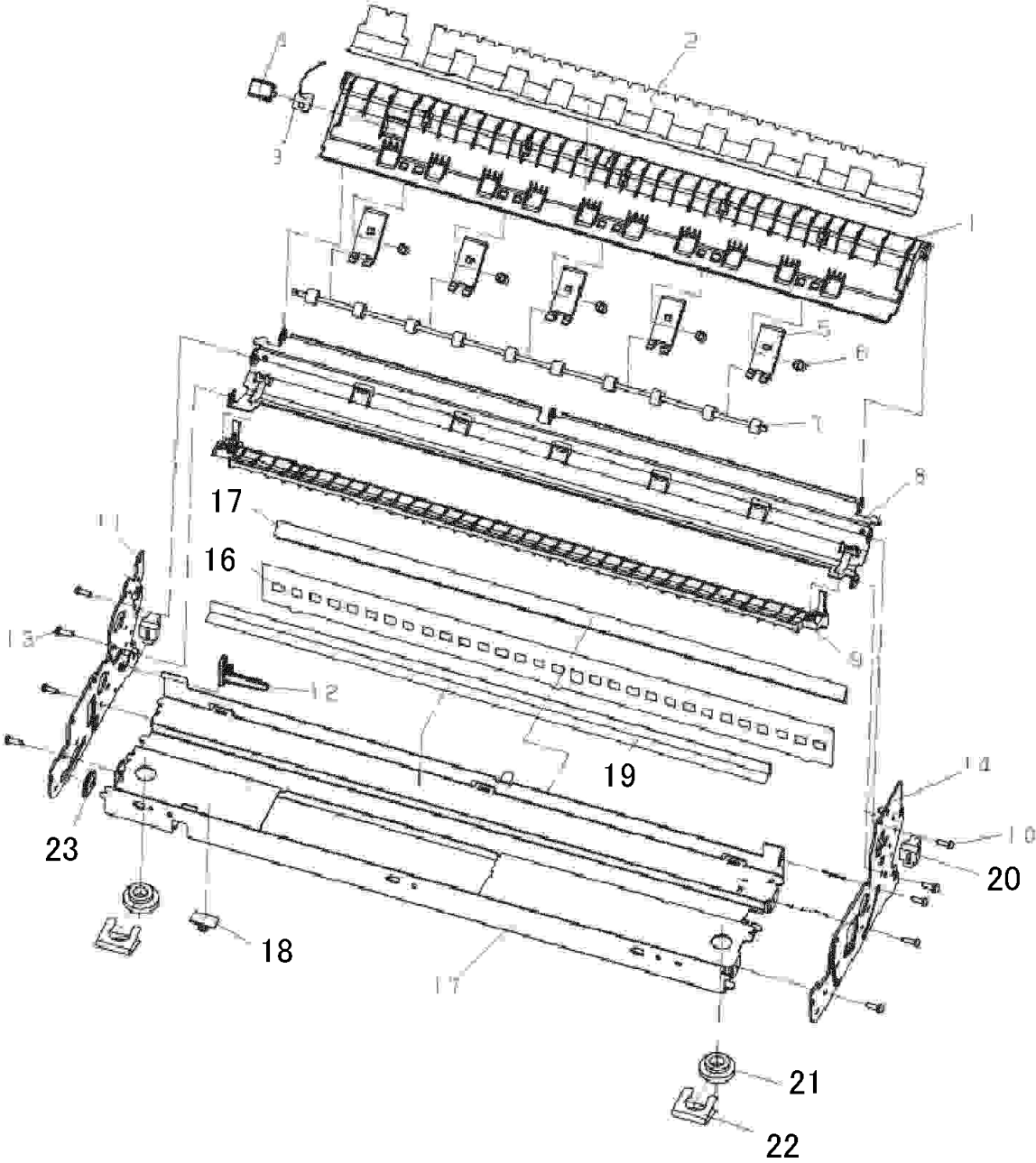
3.4 Mechanism Assembly



3.4 Mechanism Assembly

| No. | Composition & Quantity | | | Specification | Parts name (Description) | Spare parts number | Remarks |
|-------|------------------------|---|--|---------------|--------------------------|--------------------|---------|
| 1~45 | 1 | | | KA02010-F106 | MECHA UNIT | KA02010-D955 | |
| | 1 | | | KA02010-F107 | MECHA UNIT | KA02010-D995 | |
| 1 | 1 | | | KA02010-F202 | FRAME UNIT | | |
| 2 | 1 | | | KA02005-G501 | PLATEN ROLL | KA02010-D962 | |
| 3 | 2 | | | KA02004-Y507 | PLATEN BEARING | | |
| 4 | 1 | | | KA02004-Y503 | PLATEN GEAR | | |
| 5 | 1 | | | KA02004-Y504 | PLATEN SPRING | | |
| 6 | 1 | | | KA02004-Y505 | PLATEN SPACER 1 | | |
| 7 | 1 | | | KA02004-Y506 | PLATEN SPACER 2 | | |
| 8 | 2 | | | F6-ER8-SUS | E RING | | |
| 9 | 1 | | | KA02005-F510 | PAPER UNIT | | |
| 10~20 | 1 | | | KA02004-G530 | GEAR ASSEMBLY | KA02008-D968 | |
| 10 | | 1 | | KA02004-Y530 | GEAR HOLDER | | |
| 11 | | 1 | | KA02004-Y531 | GEAR A | | |
| 12 | | 1 | | KA02004-Y532 | GEAR D | | |
| 13 | | 1 | | CA02312-Y422 | GEAR B | | |
| 14 | | 1 | | CA02312-Y425 | GEAR C | | |
| 15 | | 1 | | CA02312-Y426 | GEAR SPRING | | |
| 16 | | 1 | | KA02004-0101 | LF MOTOR | KA02008-D982 | |
| 17 | | 1 | | KA02004-G533 | FG CABLE | | |
| 18 | | 1 | | CA98010-5568 | TAPPING SCREW | | |
| 19 | | 1 | | KA02004-Y535 | O/C LEVER | KA02008-D981 | |
| 20 | | 1 | | CA02312-Y427 | PS SPRING | | |
| 21 | | 1 | | CA98010-5567 | TAPPING SCREW | | |
| 22 | | 1 | | KA02004-Y565 | BEARING L | | |
| 23 | | 1 | | KA02005-G550 | EJECTION FRAME ASSEMBLY | KA02010-D971 | |
| 24 | | 1 | | CA98010-5568 | TAPPING SCREW | | |
| 25 | | 1 | | KA02005-Y310 | GUIDE STAY | | |
| 26 | | 3 | | CA98010-5566 | TAPPING SCREW | | |
| 27 | | 1 | | KA02005-F355 | CARRIER UNIT | KA02008-D956 | |
| 28~30 | 1 | | | KA02005-F301 | STAY SHAFT ASSEMBLY | KA02008-D969 | |
| 28 | | 1 | | KA02005-Y301 | STAY SHAFT | | |
| 29 | | 2 | | KA02004-Y302 | COLLAR | | |
| 30 | | 1 | | KA02004-Y307 | FG PLATE SSR | | |
| 31 | | 1 | | KA02004-Y304 | ADJUST LEVER R | | |
| 32 | | 1 | | KA02004-Y305 | COPY CONTROL LEVER | | |
| 33 | | 1 | | KA02004-Y303 | ADJUST LEVER L | | |
| 34 | | 1 | | KA02004-Y306 | FG PLATE SSL | | |
| 35~40 | 1 | | | KA02010-F316 | SP MOTOR UNIT | | |
| 35 | | 1 | | KA02010-G316 | SP MOTOR SUB ASSEMBLY | KA02010-D961 | |
| 36 | | 1 | | KA02005-Y318 | SP MOTOR BRACKET | | |
| 37 | | 2 | | KA02004-Y321 | RUBBER | | |
| 38 | | 1 | | CA02312-Y306 | FG PLATE A | | |
| 39 | | 3 | | CA98010-5560 | SCREW | | |
| 40 | | 1 | | KA02004-Y320 | SCREW | | |
| 41~45 | 1 | | | KA02004-G331 | TENSION PULLY ASSEMBLY | | |
| 41 | | 1 | | KA02004-Y331 | TENSION PULLY | | |
| 42 | | 1 | | CA80409-0058 | BEARING | | |
| 43 | | 1 | | KA02004-Y332 | SHAFT | | |
| 44 | | 1 | | KA02004-Y333 | TENSION BRACKET | | |
| 45 | | 1 | | KA02004-Y332 | TENSION SPRING | | |

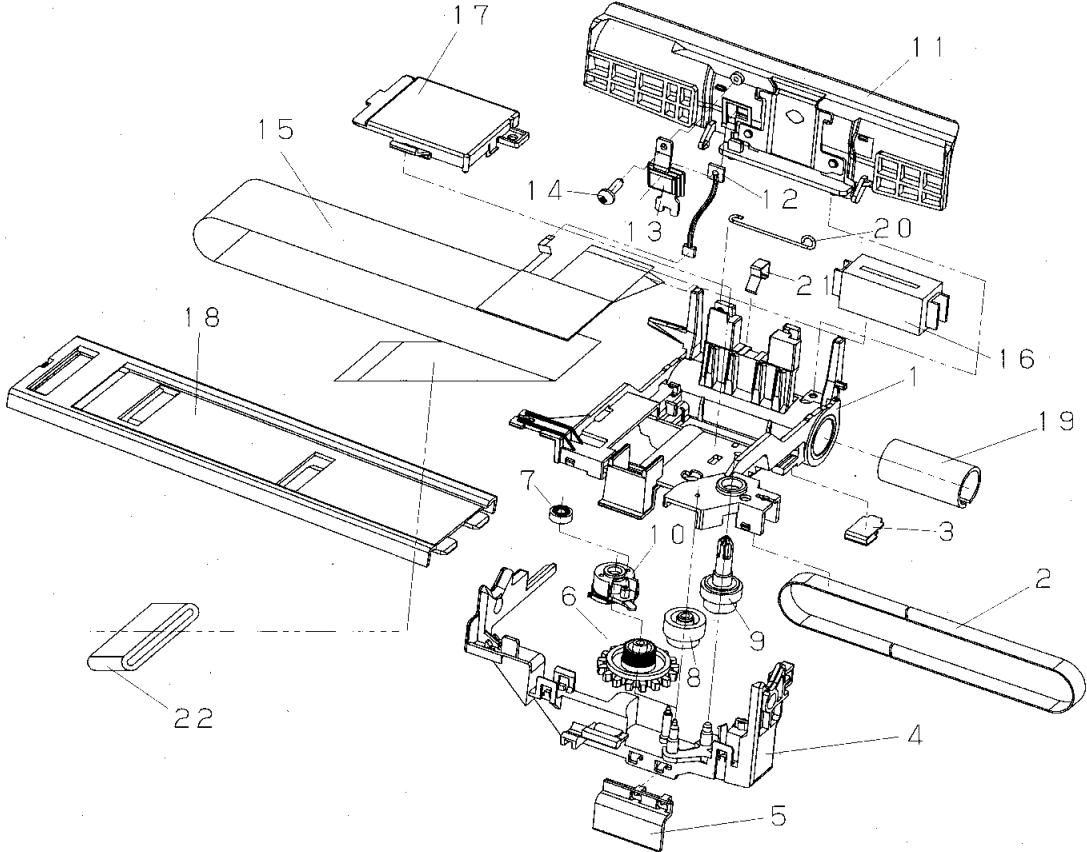
3.5 Paper Unit Assembly



3.5 Paper Unit Assembly

| No. | Composition & Quantity | | Specification | Parts name (Description) | Spare parts number | Remarks |
|-------|------------------------|---|---------------|----------------------------|--------------------|---------|
| 1~9 | 1 | | KA02005-F510 | PAPER UNIT | | |
| 1 | 1 | | KA02005-Y510 | UPPER GUIDE | | |
| 2 | 1 | | KA02005-G516 | S.SHEET SUB ASSEMBLY | | |
| 3 | 1 | | KA02004-G511 | PSS PCA | KA02008-D963 | |
| 4 | 1 | | KA02004-Y512 | PSS COVER | | |
| 5 | 5 | | KA02004-Y513 | SPRING HOLDER C | | |
| 6 | 5 | | KA02004-Y514 | NIP SPRING | | |
| 7 | 1 | | KA02005-G515 | ROLLER C ASSEMBLY | | |
| 8 | 1 | | KA02005-Y520 | REAR STAY | | |
| 9 | 1 | | KA02005-Y525 | LOWER GUIDE | | |
| 10 | 4 | | CA98010-5566 | TAPPING SCREW | | |
| 11 | 1 | | KA02004-G201 | FRAME L ASSEMBLY | | |
| 12 | 1 | | KA02004-Y536 | OC CAM | | |
| 13 | 2 | | CA98010-5566 | TAPPING SCREW | | |
| 14 | 1 | | KA02004-G202 | FRAME R ASSEMBLY | | |
| 15~19 | 1 | | KA02005-G203 | MAIN STAY ASSEMBLY | | |
| 15 | | 1 | KA02005-Y203 | MAIN STAY | | |
| 16~17 | | 1 | KA02005-G527 | PUSHING SHEET ASSEMBLY | | |
| 16 | | 1 | KA02005-G526 | PUSHING SHEET SUB ASSEMBLY | | |
| 17 | | 1 | KA02005-Y528 | SHEET | | |
| 18 | | 1 | CT-K-103G | CODE KEEP | | |
| 19 | | 1 | KA02005-Y523 | SHEET | | |
| 20 | 2 | | KA02004-Y211 | RUBBER FOOT R | | |
| 21 | 2 | | CA02313-Y007 | RUBBER FOOT B | | |
| 22 | 2 | | KA02004-Y215 | FG SPRING | | |
| 23 | 1 | | CA02312-Y311 | RUBBER BUSH 2 | | |

3.6 Carrier Unit Assembly



3.6 Carrier Unit Assembly

| No. | Composition & Quantity | | Specification | Parts name (Description) | Spare parts number | Remarks |
|-------|------------------------|---|---------------------|--------------------------|--------------------|---------|
| 1~22 | 1 | | KA02005-F355 | CARRIER UNIT | KA02010-D956 | |
| 1 | 1 | | KA02004-G350 | CARRIER ASSEMBLY | | |
| 2 | 1 | | KA02005-0105 | TIMING BELT | | |
| 3 | 1 | | CA02312-Y389 | BELT CRAMP | | |
| 4~10 | 1 | | KA02004-F360 | RIBBON FEED ASSEMBLY | | |
| 4~5 | 1 | | KA02004-G360 | RIBBON BRACKET ASSEMBLY | | |
| 4 | 1 | 1 | KA02004-Y360 | RIBBON BRACKET | | |
| 5 | 1 | 1 | KA02004-Y363 | LES PLATE | | |
| 6 | 1 | | KA02004-Y361 | RF GEAR | | |
| 7 | 1 | | D860-1164-X330 | GEAR C | | |
| 8 | 1 | | CA02312-Y363 | IDLE GEAR | | |
| 9 | 1 | | KA02004-G366 | RF SHAFT ASSEMBLY | | |
| 10 | 1 | | CA02312-Y365 | ARM | | |
| 11~14 | 1 | | KA02010-G370 | CARD GUIDE ASSEMBLY | KA02010-D970 | |
| 11 | 1 | | KA02005-G371 | CARD GUIDE ASSEMBLY | | |
| 12 | 1 | | KA02004-G375 | TOF SENSOR ASSEMBLY | | |
| 13 | 1 | | KA02004-Y376 | SENSOR COVER | | |
| 14 | 1 | | CA98010-5570 | TAPPING SCREW | | |
| | | | KA02008-Y372 | LABEL | | |
| 15~16 | 1 | | KA02005-G387 | CARRIER CABLE ASSEMBLY | KA02008-D985 | |
| 15 | 1 | | KA02004-Y388 | CARRIER CABLE 1 | | |
| 15 | 1 | | KA02004-Y389 | CARRIER CABLE 2 | | |
| 16 | 1 | | CT-AKW-S40A | CONNECTOR | | |
| 17 | 1 | | KA02004-Y391 | CABLE HOLDER C | | |
| 18 | 1 | | KA02005-Y392 | CABLE HOLDER S | | |
| 19 | 1 | | CA06212-Y305 | FELT | | |
| 20 | 1 | | CA02312-Y356 | SPRING | | |
| 21 | 1 | | D860-1164-X317 | LEAF SPRING | | |
| 22 | 1 | | CT-FSRC420090RX000T | FERRITE CORE | | |